

TRAY DRYER

Conventional Operation
through cGMP features



CE

TAPASYA

The Tray Dryer promises the best of both World conventional operation with the added Edge of cGMP feature:

- ! All internals with rounded contours.

SALIENT FEATURES

- ! Covered drives
- ! Two tier trolley with S.S. Rollers
- ! Advanced Controls
- ! Improved design-double door provision
- ! Enhance performance by total insulation
- ! Inlet Air-H. E. A. Filtered
- ! Its state-of-the-art internal design incorporating:
 - ! Rounded corners and angles
 - ! Easy accessibility of internals for Hygienic cleaning.
- ! Even thermal distribution internally all over the chamber with a variation $\pm 2^{\circ}\text{c}$

CAPACITY OFFERED

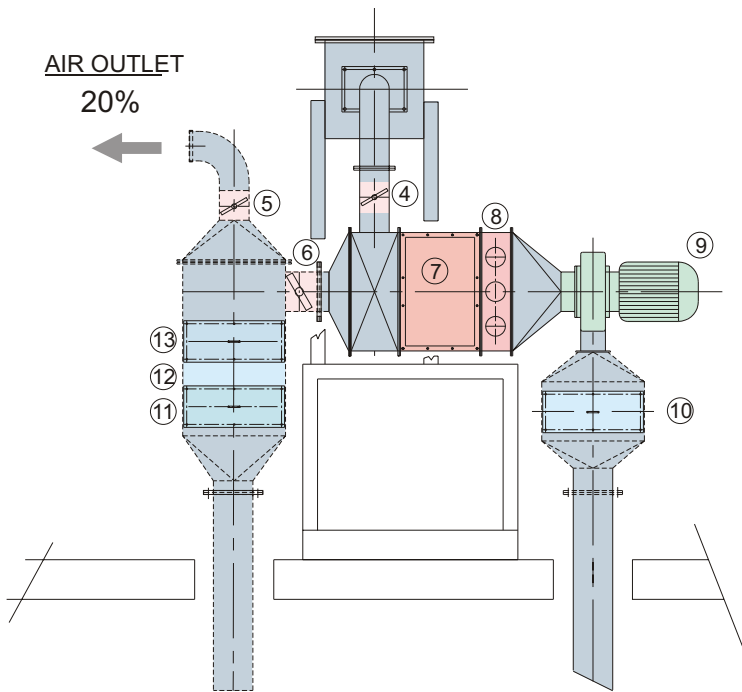
- ! 6 Trays. Single Door
- ! 12 Trays. Single Door
- ! 24 Trays. Single/Double Door
- ! 48 Trays. Single/Double Door
- ! 96 Trays. Single/Double Door



AIR PREPARATION STATION

TRAY DRYER

Conventional Operation
through cGMP features



PART NO.	DESCRIPTION	SIZE IN MM.
1	G4 Filter	450 x 450 x 150
2	Dehumidifier	250 x 250 x 1000
3	Splash Guard	450 x 450 x 100
4/5	Manual OP. Valve	150 Ø
6	Manual OP. Valve	200 Ø
7	Steam Heater	400 x 400 x 450
8	Electric Heater	450 x 450 x 150
9	Motoventilator Set	2000 CFM
10	F9 Filter	450 x 450 x 150
11	G4 Filter	450 x 450 x 150
12	F9 Filter	450 x 450 x 150
13	H 13 Filter	450 x 450 x 150



TECHNICAL SPECIFICATION

Models	Bo-12	Bo-24	Bo-48	Bo-96	Bo-192
Loading capacity	12 Trays W D H	24 Trays W D H	48 Trays W D H	96 Trays W D H	192 Trays W D H
External Dimension in mm	1370 x 530 x 940	1370 x 940 x 940	1980 x 1020 x 1880	3320 x 1020 x 1880	3320 x 1900 x 1880
Internal Dimension in mm	840 x 430 x 840	840 x 860 x 840	1020 x 930 x 1830	1960 x 930 x 1830	1960 x 1750 x 1830
No. of Doors	One	One	One	Two	Two
No. of Blowers	One	Two	One	Two	Four
No. of motors / H.P. 3 Phase 415 volts.	1/0.5 H.P. 3 phase 415V.	1/0.5 H.P. 3 phase 415V.	1/1 H.P. 3 phase 415V.	2/1 H.P. each 3 phase 415V.	4/1 H.P. each 3 phase 415V.
Electrical Heating Load 100°C/200°C/300°C	3kw/6kw/9kw	6kw/9kw/12kw	9kw/15kw/18kw	15kw/21kw/27kw	36kw/42kw/48kw
Steam Heater No. of Coils	2	2	2	2	2
Steam Pressure	3.3 kg/cm ²	3.3 kg/cm ²	3.3 kg/cm ²	3.3 kg/cm ²	3.3 kg/cm ²
Steam Consumption	25 LBS/hr	45 LBS/hr	60 LBS/hr	80 LBS/hr	120 LBS/hr
Insulation in mm 100°C/200°C/300°C	50/75/75	50 / 75 / 75	50 / 75 / 75	50 / 75 / 75	50 / 75 / 75
No. of Trolleys	Rack System	Rack System	One	Two	Four
Tray Size	812 x 406 x 31	812 x 406 x 31	812 x 406 x 31	812 x 406 x 31	812 x 406 x 31
Trolley Dimension	Fixed Racks	Fixed Racks	840 x 960 x 1780	840 x 960 x 1780	840 x 960 x 1780



Specification and technical data are subject to change without prior notice



Manufactured & Exported By:

Tapasya Engineering Works Pvt. Ltd.

A/212, Road No.30, Wagle Industrial Estate, Thane (W) – 400 604. India

Tel.: +91 - 22- 6157 9400 / 2582 2287 • Fax : +91 - 22- 2582 5243

E-mail: sales@tapasyaindia.net • info@tapasyaindia.net • Web : www.tapasyaindia.net

Our Representatives in USA:

Daiichi Jitsugyo (America), Inc.

939 AEC Drive, Wood Dale, IL 60191

Phone : 630-776-2459 • Email: Rnelson@djausa.com

Web : www.dja-pharma.com • www.tapasyaglobalusa.com

