

HIGH SHEAR MIXER GRANULATOR – R2T

Tapasya's HSMG enjoys the trust and confidence of customers, the world over, for its unparalleled quality, unique features and reliable performance. Being the world leader in 'High Shear Mixer Granulators', Tapasya's quest for continuous improvement of the product was constantly fuelled by its competent 'Design & Development Team.'

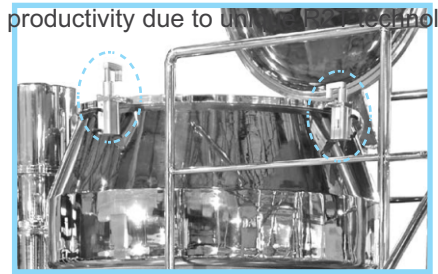
Tapasya, the leader in HSMG, never rested on its laurels and worked purposefully towards enhancing the product for its customers. Improvement is design coupled with innovation in technology, the hallmark of Tapasya, has led to the launch of 'HSMG – R2T', the only one of its kind in the world today.

In HSMG-R2T, Tapasya has, for the '1st Time in the World', introduced the feature of 'Direct Drive Technology' in Granulators. It is the only Granulator that not only meets all the stringent quality requirements of the FDA / cGMP, but also meets the specific needs of customers, with its , distinct 'Torque-based' granulation end-point determination.



R2T: Distinct Edge over Conventional Granulators: Increase in productivity due to Unconventional Technology

- (Upto almost 50%, as per data shared by customers)
- Greater accuracy in determining and validating granulation endpoint
- Superior performance of the machine with 100% accuracy, due to Direct Drive Motor
- Improved Efficiency as minimal maintenance needs, due to elimination of conventional machine components such as, belts, pulley drives, worm & worm wheel gearbox, etc.
- Reduced number of batches for validation of product to commercial level, due to precise Granulation endpoint
- Major savings and cost containment due to absence of drive elements, improved efficiency of 85% and savings in power bills upto 12%
- Meets all requirements of cGMP



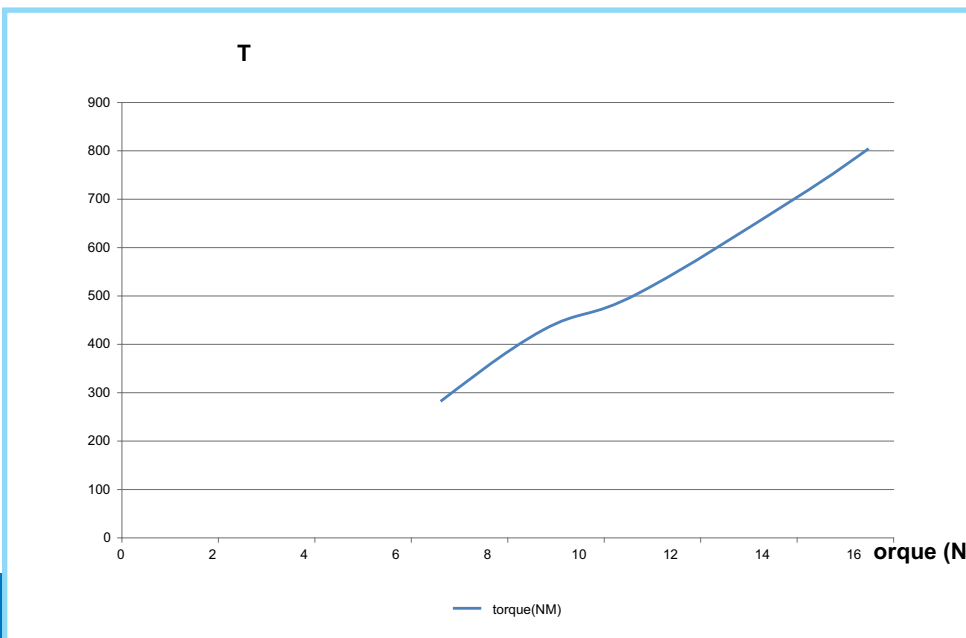
Pneumatic Lid Lock



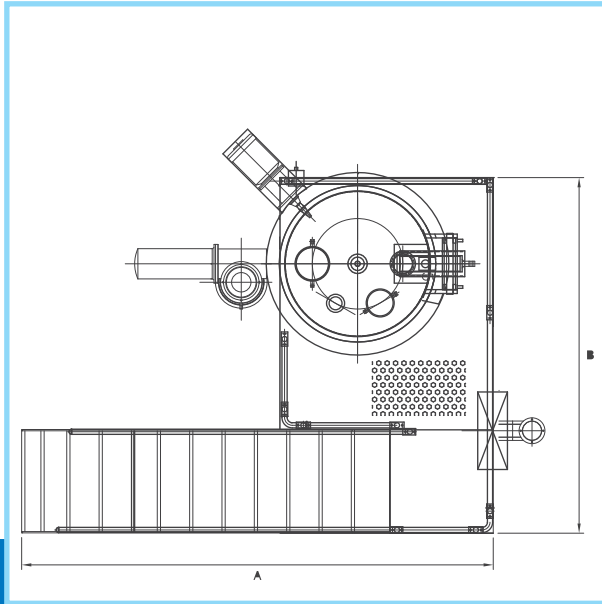
Screwless Panel



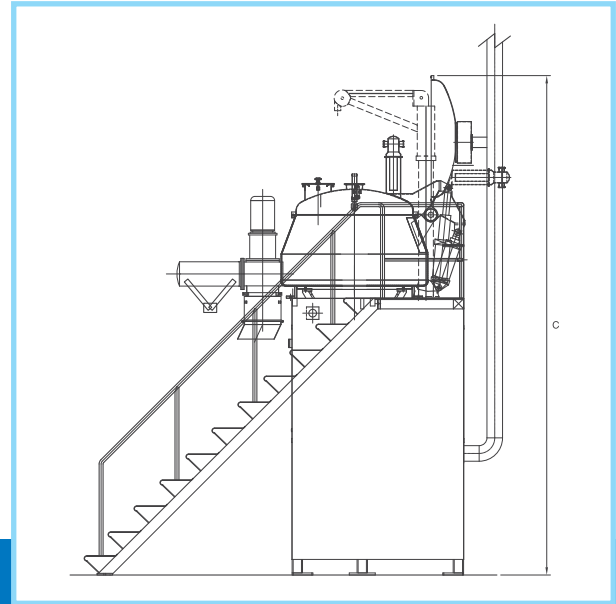
Sleek Ladder Design



Monitoring granulation profile with respect to impeller shear



Plan view



Elevation view

Technical Specifications:

MODEL	GROSS CAPACITY (in Liters)	WORKING CAPACITY (in Liters)	OVERALL DIMENSIONS (in mm)			MOTOR HP	APPROX. WEIGHT (in kg)
			L	B	H		
TAP-HSMG-R2T-25	25	20	1000	600	1300	7	800
TAP-HSMG-R2T-75	75	60	2150	2450	2400	13	1500
TAP-HSMG-R2T-150	150	120	2200	2500	2600	21	2000
TAP-HSMG-R2T-250	250	200	2450	2600	2900	38	2500
TAP-HSMG-R2T-400	400	320	2500	2950	3300	48	3000
TAP-HSMG-R2T-600	600	480	2550	3100	3500	62.5	3200
TAP-HSMG-R2T-800	800	640	2800	3200	3800	72.5	3500
TAP-HSMG-R2T-1000	1000	800	2850	3400	4100	82.5	3800
TAP-HSMG-R2T-1400	1400	1120	3500	3500	4300	120	4200
TAP-HSMG-R2T-1700	1700	1360	3750	3800	4600	140	4500

Customised sizes available on request
 10 bar compliant equipment available
 Laboratory model design available

High Shear Mixer Granulator – R2T used in Industries:

- Pharmaceutical
- Nutraceutical
- Food
- Cosmetics



Daiichi Jitsugyo (America), Inc.

939 AEC Drive, Wood Dale, IL 60191

Phone : 630-776-2459 • Email: Rnelson@djausa.com

Web : www.dja-pharma.com • www.tapasyaglobalusa.com